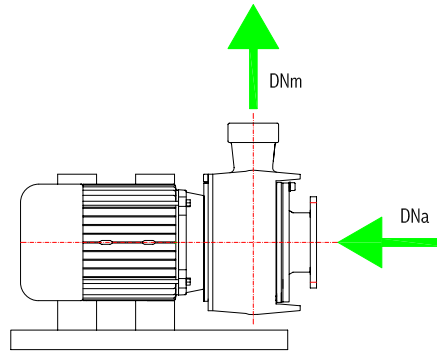
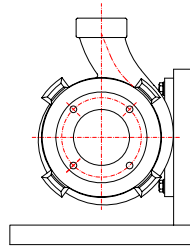


Mandata orizzontale
Horizontal outlet
Refolement horizontale

ETO 0.75 - 40
ETO 1.1 - 40

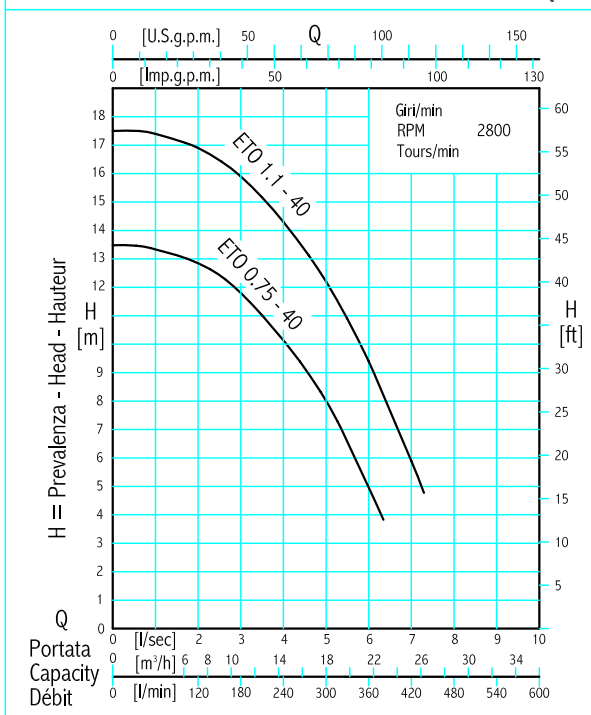


Mandata radiale
Radial outlet
Refolement vannes

CARATTERISTICHE FUNZIONAMENTO - OPERATING DATA - CARACTERISTIQUES DE FONCTIONNEMENT

ELETTOPOMPA TIPO ELECTRIC PUMP TYPE ELECTROPOMPE TYPE	POTENZA MOTORE MOTOR RATING PUISSAN. MOTEUR	MANDATA DELIVERY REFOLEMENT	PORTATA - CAPACITY - DEBIT [l / min]											
			0	60	120	180	210	240	270	300	330	360	420	
			PORTATA - CAPACITY - DEBIT [m ³ / h]											
			0	3.6	7.2	10.8	12.6	14.4	16.2	18	19.8	21.6	25.2	
			PORTATA - CAPACITY - DEBIT [l / sec]											
			0	1	2	3	3.5	4	4.5	5	5.5	6	7	
			PREVALENZA - HEAD - HAUTEUR [m]											
			13.5	13.3	12.8	11.8	11	10.1	9.2	8	6.6	4.9		
ETO 0.75 - 40	0.75	40	17.5	17.4	16.9	15.9	15.2	14.3	13.3	12.2	10.9	9.4	5.9	
ETO 1.1 - 40	1.1													

- DIAGRAMMI - PERFORMANCES RANGES - CURVES CHARACTERISTIQUES -



Curve per liquidi aventi densità 1 mm²/s - alla temperatura di 20° C.
Curves established for liquid density 1 mm²/s - temperature 20° C.
Curbes établies pour liquides densité 1 mm²/s - température 20° C.

CARATTERISTICHE MOTORI TRIFASI - 50Hz- ALIMENTAZIONE 400 V ± 10%
50 Hz - MOTOR FEATURES - VOLTAGE RATING 400 V ± 10%
CARACTERISTIQUES DES MOTEURS - 50 Hz- ALIMENTATION 400 V ± 10%

ELETTROPOMPA TIPO ELECTRIC PUMP TYPE ELECTROPOMPE TYPE	POTENZA MOTORE MOTOR RATING PUISSANCE MOTEUR	AVVOLGIMENTI WINDINGS BOBINAGES	ASSORBIMENTO ABSORPTION INTENSITE	Giri/min RPM T/min	AVVIAAMENTO diretto direct direct
	[kW]	[V]	[A]		△
ETO 0.75 - 40	0.75	400	1.9	2800	△
ETO 1.1 - 40	1.1		2.5	2790	△

CARATTERISTICHE STANDARD

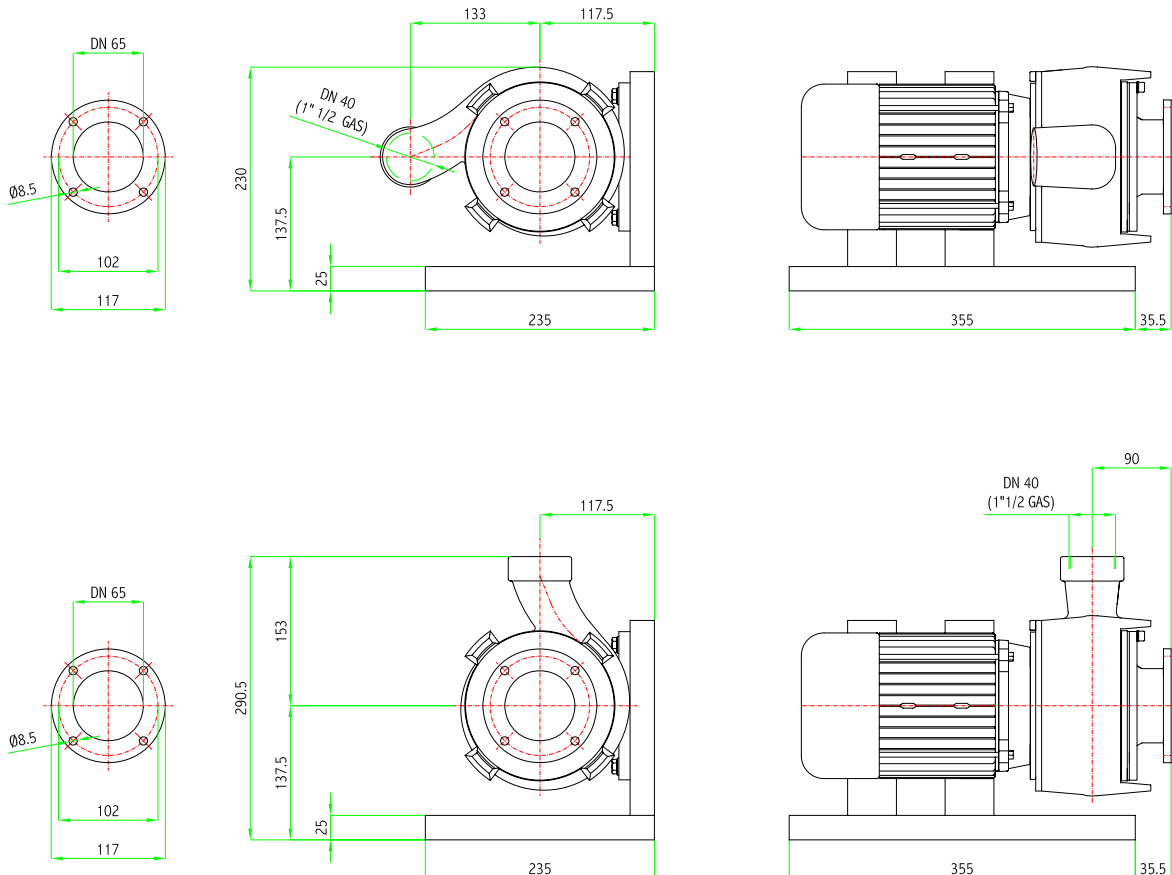
Motori elettrici asincroni trifasi con rotore a gabbia di scoiattolo.
Grado di protezione "IP 55".
Isolamento classe "F".
Max contenuto sostanze solide in sospensione 12%.
Liquido pH 5 ÷ 12
Max temperatura del liquido pompato 40° C.
Servizio continuo.

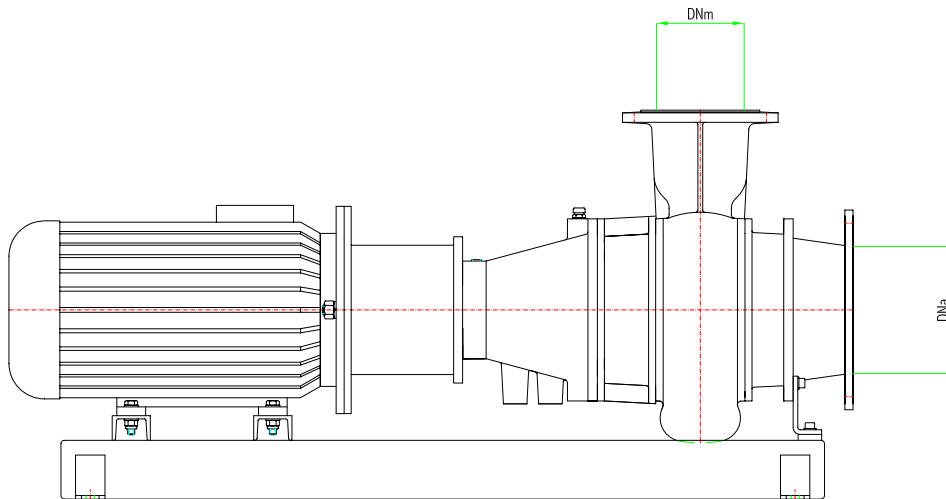
STANDARD FEATURES

Asynchronous threephase electric motors with squirrel cage rotor.
"IP 55" Protection.
"F" class insulation.
Max solid content in the liquid: 12%.
Fluid pH 5 - 12.
Max temperature of pumped fluid: 40°C.
Continuous service.

CARACTERISTIQUES STANDARD

Moteurs électriques asynchrones triphasé rotor a cage d'ecureuil.
Degré de protection "IP 55".
Isolement classe "F".
Max contenu de substance solides en suspension 12% .
Max pH du liquid à relever 5 ÷ 12 .
Max temperature du liquide pompe 40° C.
Service continu.



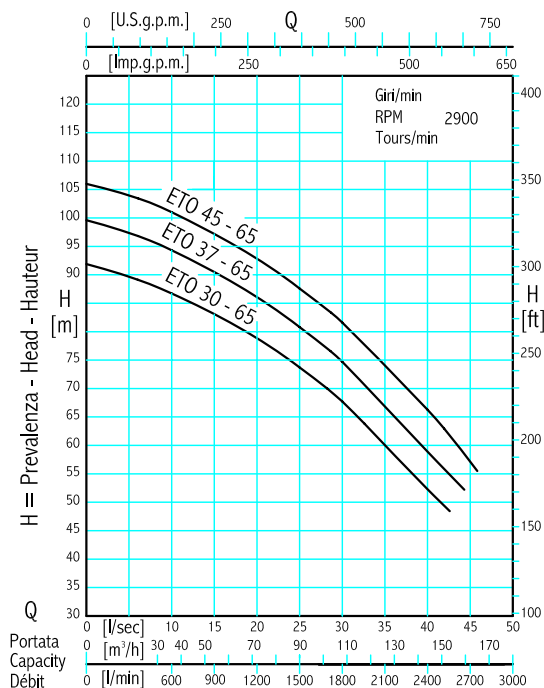


CARATTERISTICHE FUNZIONAMENTO - OPERATING DATA - CARACTERISTIQUES DE FONCTIONNEMENT

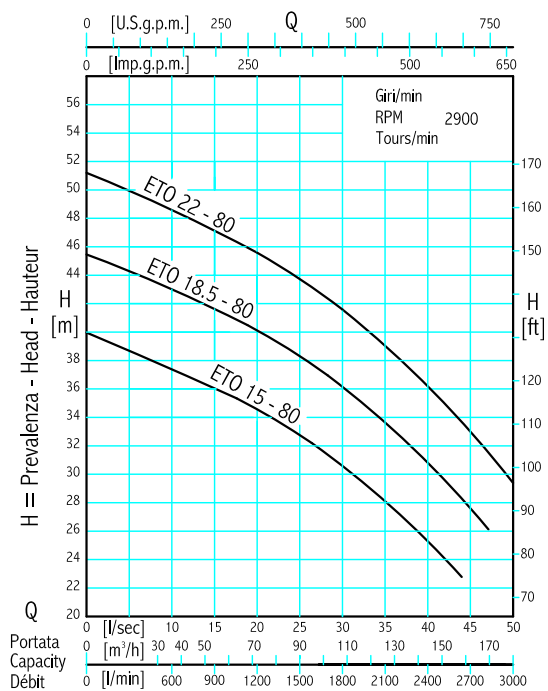
POMPA TIPO PUMP TYPE POMPE TYPE	Potenza motore Motor rating Puisissance moteur [kW]	Giri/min RPM T/min	Aspirazione Suction Orifice aspiration DNa	Mandata Delivery Refolement DNm	PORTATA - CAPACITY - DEBIT [m³/h]															
					0	36	54	72	90	108	144	180	216	252	288	324				
					PORTATA - CAPACITY - DEBIT [l/sec]															
					PREVALENZA - HEAD - HAUTEUR [m]															
ETO 30 - 65	30	2900	150	65	91.8	86.7	83.1	78.8	73.7	67.7	52.3									
ETO 37 - 65	37				99.6	94.3	90.5	86.1	80.8	74.7	58.9									
ETO 45 - 65	45				106	101	97.2	92.8	87.6	81.6	66.3									
ETO 15 - 80	15	100	80	PN6	40	37.3	36.1	34.7	32.7	30.7	25.2									
ETO 18.5 - 80	18.5				45.4	43	41.5	40.2	38.4	36.2	30.8									
ETO 22 - 80	22				51.1	48.6	47.2	45.6	43.7	41.5	36.3	29.5								
ETO 2.2 - 80	2.2	1450	PN10	PN6	10.5	9.2	8.1	6.8	5.1											
ETO 3 - 80	3				12.8	11.3	10.4	9.1	7.4	5.3										
ETO 4 - 80	4				15.6	14.1	13	11.7	10	8										
ETO 4 - 100	4	150	PN10	PN6	9.8	9.5	9	8.4	7.3	5.8										
ETO 5.5 - 100	5.5				12	11.6	11.2	10.6	9.7	8.3	3.7									
ETO 7.5 - 100	7.5				14.7	14.3	14	13.4	12.6	11.3	6.7									
ETO 9 - 100	9	200	PN10	PN6	16.1	15.7	15.4	14.9	14.1	12.7	8.7									
ETO 11 - 150	11				15.2	14.7	14.4	14	13.7	13.3	12.3	11.1	9.4	7.1	4.2					
ETO 15 - 150	15				18.6	18.1	17.8	17.4	17	19.4	15.6	14.2	12.8	10.8	8	4.8				
ETO 18.5 - 150	18.5				21.5	20.9	20.7	20.2	19.9	16.7	18.5	17.1	15.7	13.7	11	8				

DIAGRAMMI - PERFORMANCES RANGES - CURVES CARACT

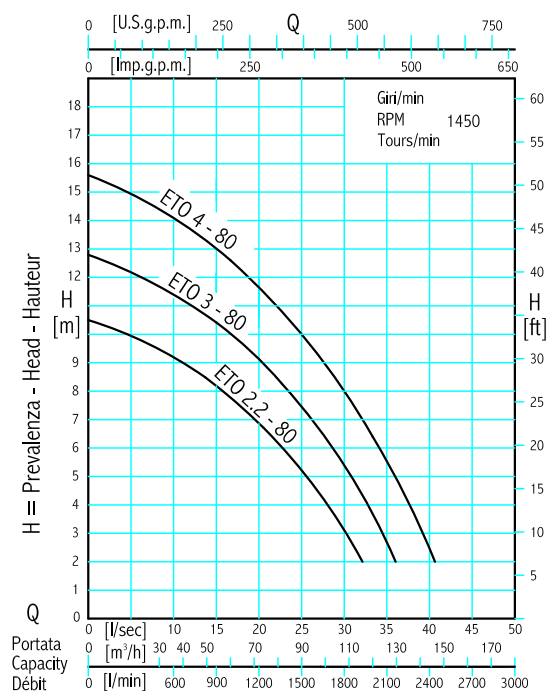
"ETO.. 65"



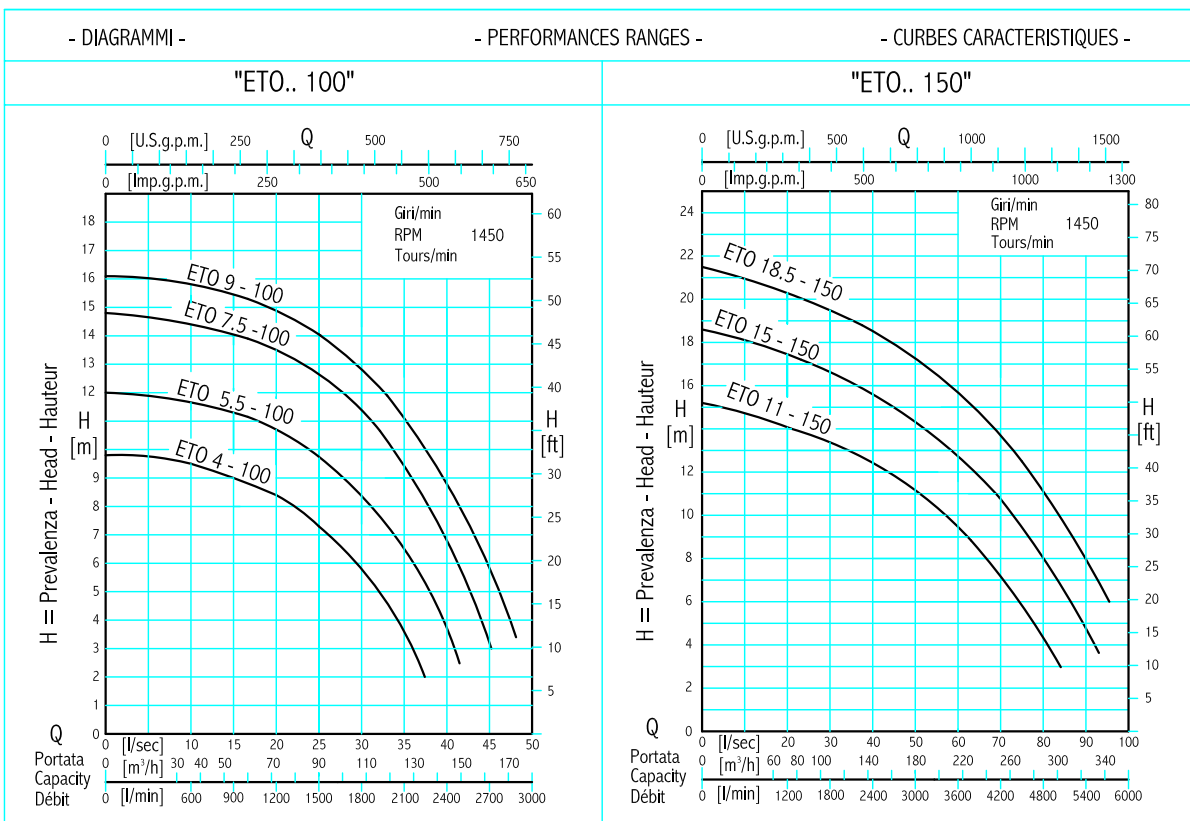
"ETO.. 80"



"ETO.. 80"



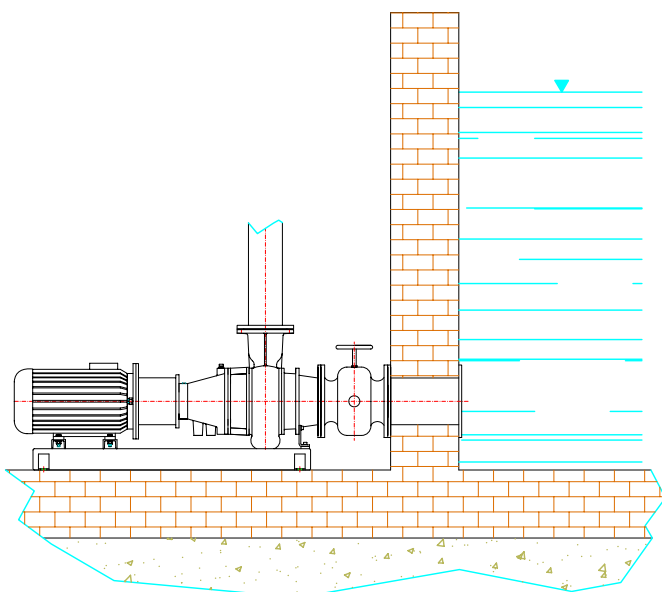
Curve per liquidi aventi densità 1-viscosità 1 mm²/s - alla temperatura di 20°C.
Curves established for liquid density 1- viscosity 1 mm²/s- temperature 20° C.
Curbes établies pour liquides densité 1- viscosité 1 mm²/s - température 20° C.



INSTALLAZIONE

INSTALLATION

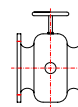
INSTALLATION



ACCESSORI

ACCESSORIES

ACCESSOIRES



POMPA TIPO
PUMP TYPE
POMPE TYPE

Saracinesca Flangiata
Flanged gate
Vanne bridée

ETO ... - 65

DN 150 - PN 10

ETO ... - 80

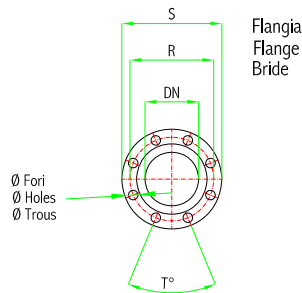
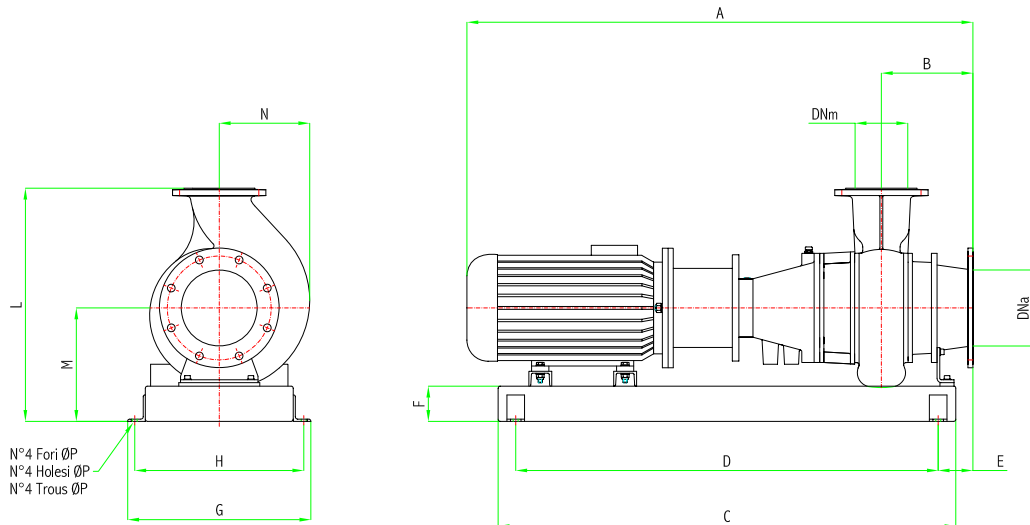
DN 100 - PN 10

ETO ... - 100

DN 150 - PN 10

ETO ... - 150

DN 200 - PN 10



DN	Flange		Flanges		Brides	
	UNI	R	S	T°	Ø Fori	n°Fori
65	PN 10	145	185	90°	18	4
80	PN 6	150	190	90°	18	4
100	PN 6	170	210	90°	18	4
100	PN 10	180	220	45°	18	8
150	PN 6	225	265	45°	18	8
150	PN 10	240	285	45°	22	8
200	PN 10	295	340	45°	22	8

POMPA TIPO PUMP TYPE POMPE TYPE	Potenza motore Motor rating Puissance moteur [kW]	Giri/min RPM T/min	Aspirazione Suction Office aspiration DNa	Mandata Delivery Refoulement DNm	DIMENSIONI INGOMBRO OVERALL DIMENSIONS [mm] DIMENSIONS																						
					A	B	C	D	E	F	G	H	L	M	N	P											
					ETO 30 - 65	30	2900	150 PN10	65 PN10	1577	318	1500	1400		100	610	570	603	342	199							
ETO 37 - 65	37	1627																									
ETO 45 - 65	45	1177																									
ETO 15 - 80	15	100 PN10	80 PN6	1221	213	1100				1000											135	80	500	460	521	296	177
ETO 18.5 - 80	18.5			944																							
ETO 22 - 80	22			962																							
ETO 2.2 - 80	2.2			1093																							
ETO 3 - 80	3			150 PN10				100 PN6	1129		293	1000	900	180	184	430	390	513	250	190							
ETO 4 - 80	4								1167																		
ETO 4 - 100	4	1352																									
ETO 5.5 - 100	5.5	200 PN10	150 PN6		1396	261			1300	1200											99	100	520	480	652	302	257
ETO 7.5 - 100	7.5				1388																						
ETO 9 - 100	9																										
ETO 11 - 150	11	1450	150 PN6	1396	261	1300	1200	99	100	520	480	652	302	257													
ETO 15 - 150	15			1388																							
ETO 18.5 - 150	18.5																										